



Carolina Timberworks

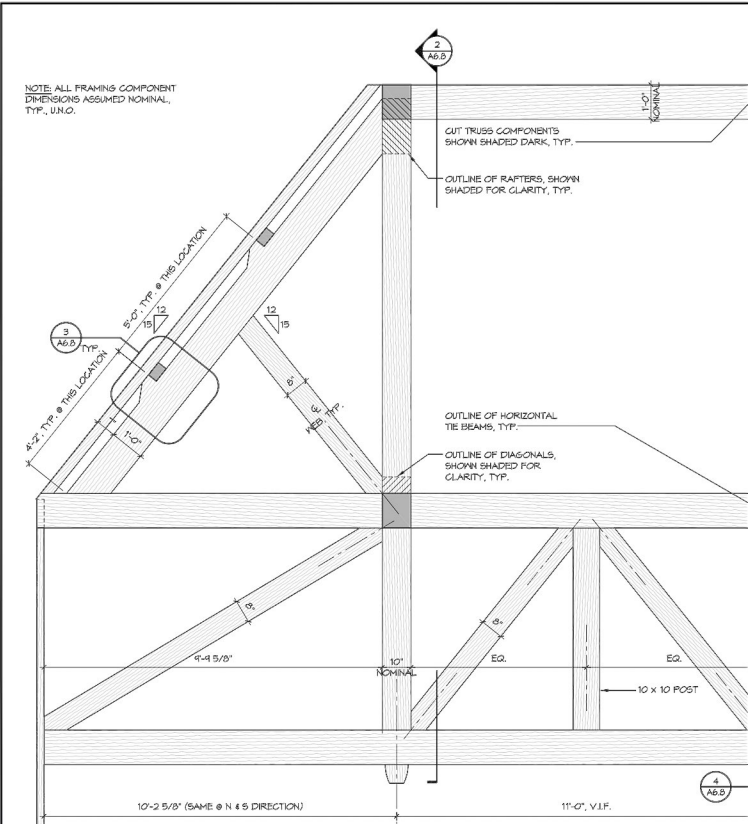
Architectural Timber Framing

*Ordinary people doing
extraordinary work*

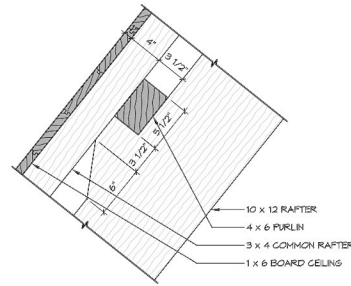
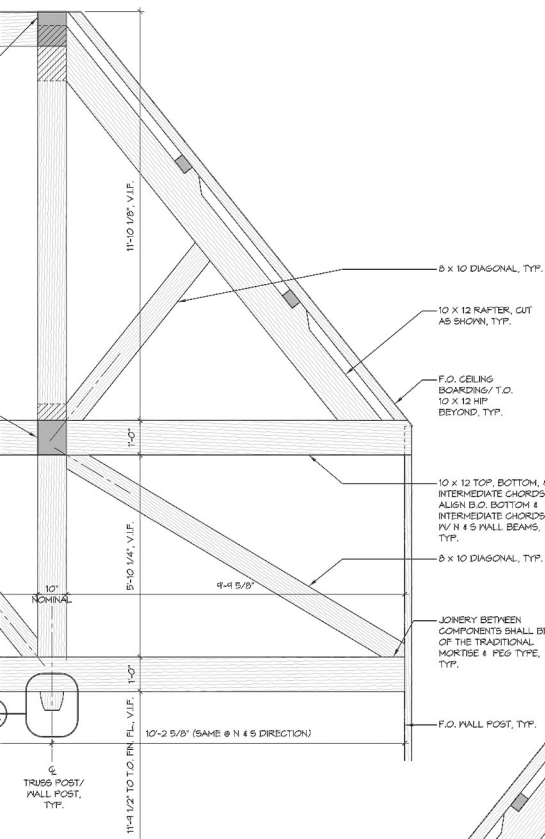


The Process

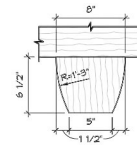
Architectural Design



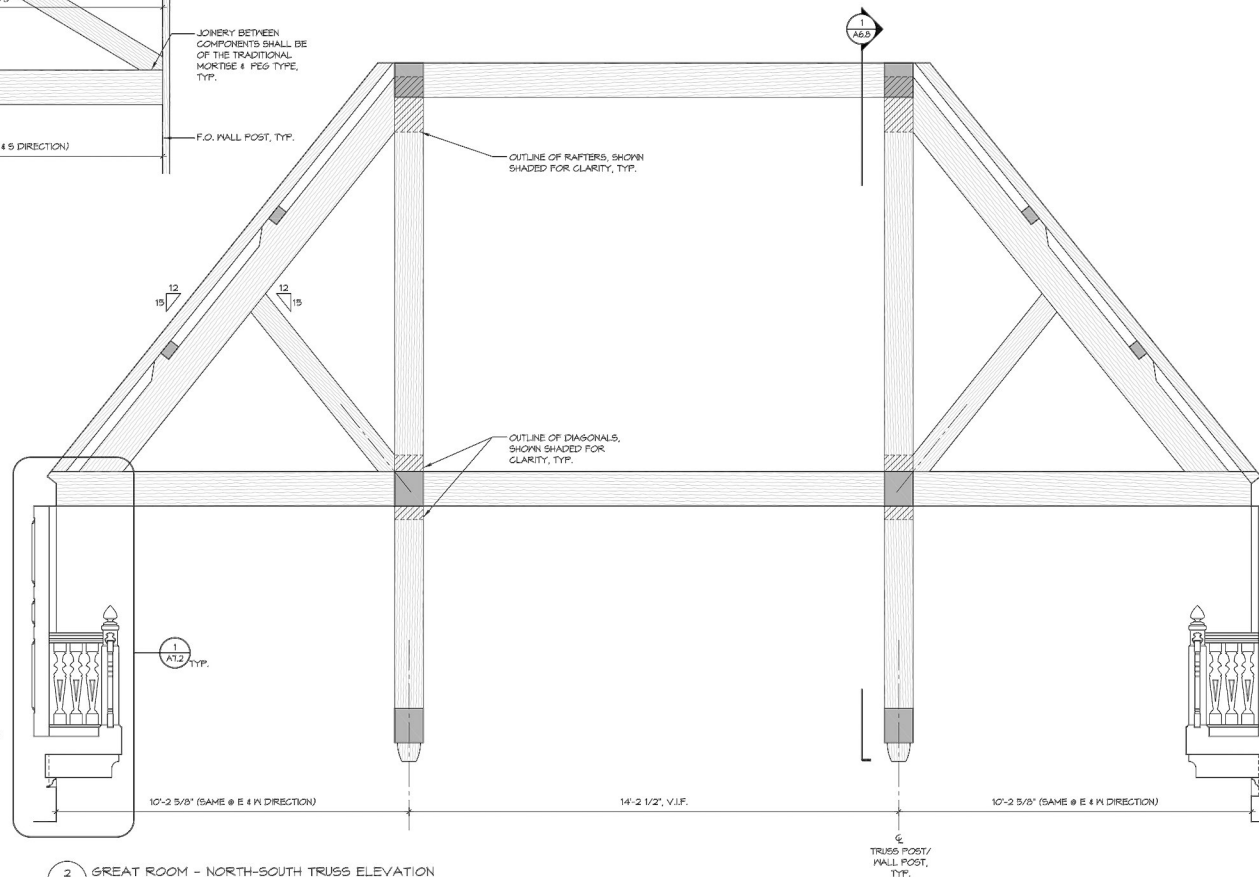
1 GREAT ROOM - EAST-WEST TRUSS ELEVATION
A-6.6 SCALE: 1/2" = 1'-0"



3 GREAT ROOM TRUSS - NOTCH DETAIL
SCALE: 1/2" = 1'-0"



4 GREAT ROOM TRUSS - DROP DETAIL
SCALE: 1/2" = 1'-0"



2 GREAT ROOM - NORTH-SOUTH TRUSS ELEVATION
SCALE: 1/2" = 1'-0"

REFER TO DWGS. 1/A-6.8 FOR 'TYPICAL' NOTES & ADDITIONAL DIMENSIONS

REVISIONS

Copyright © 2011 Hilton - Vanderhorn, Architects. These documents are instruments of the Architect's service, and the design ideas contained within, the property of the Architect. They have been prepared for the use of the Client and are not to be used in any other project or for any other purpose without the expressed written consent of Hilton - Vanderhorn, Architects. All rights reserved.

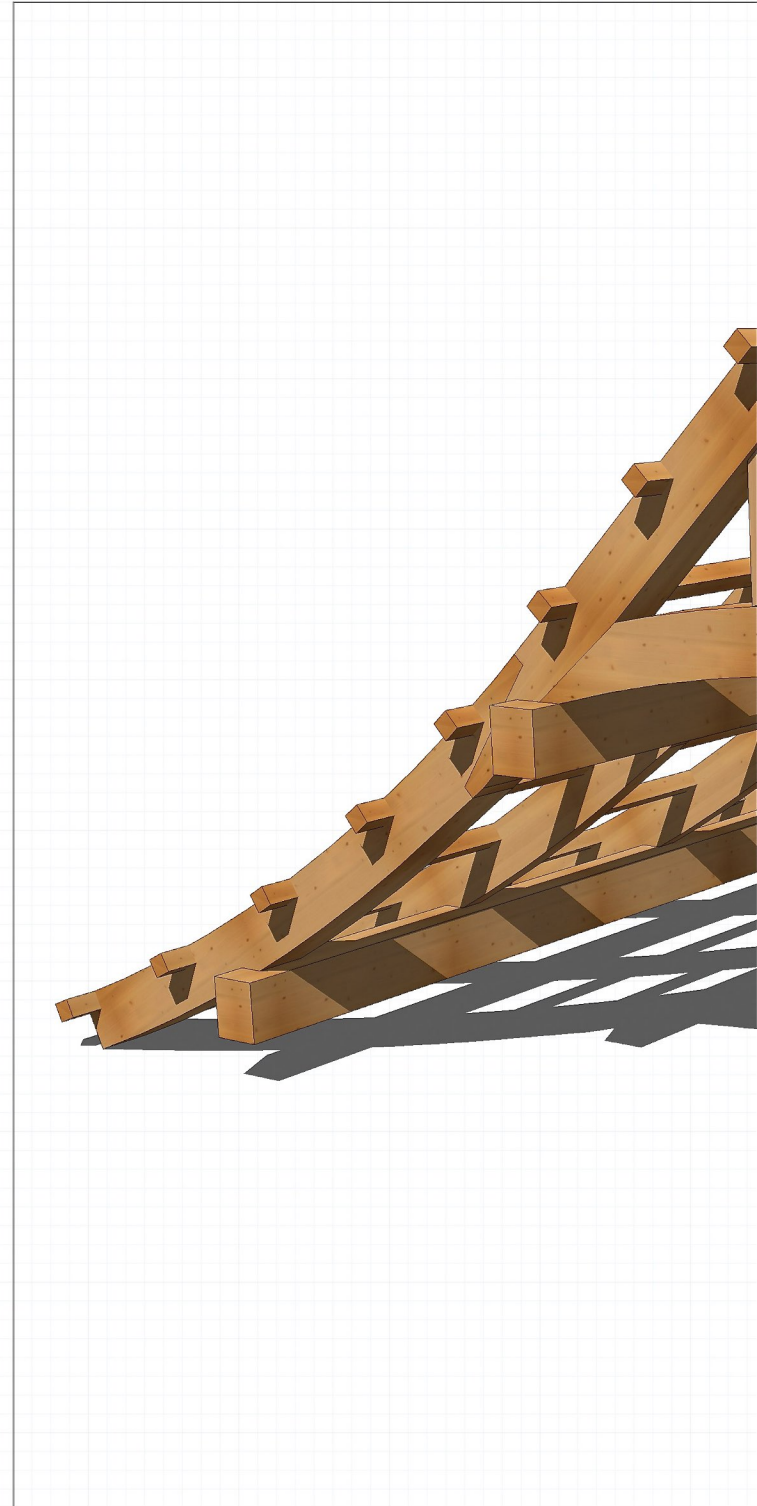
GREAT ROOM TRUSS ELEVATIONS
THE NEW RESIDENCE AT:
GREENWICH, CONNECTICUT

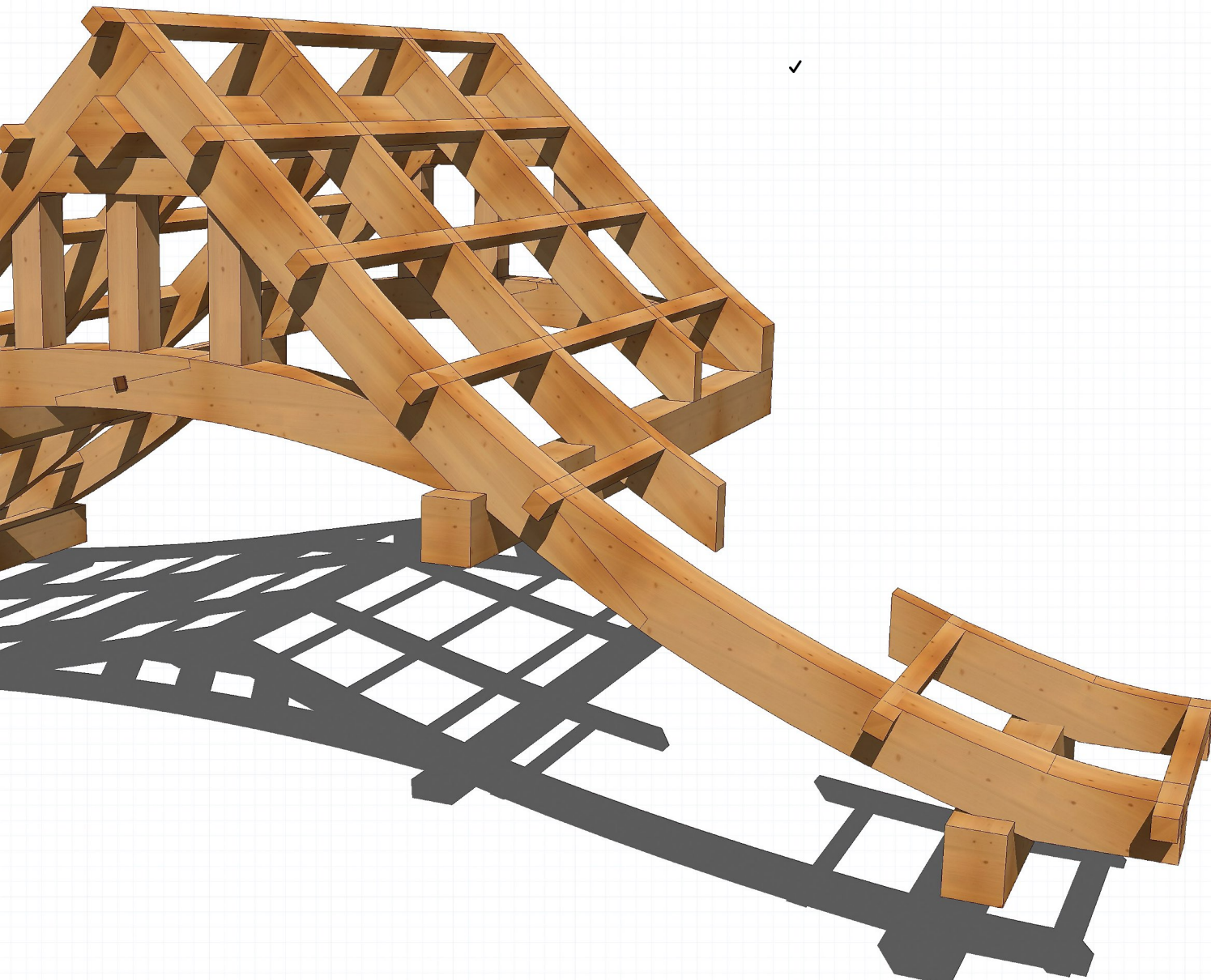
HILTON · VANDERHORN, ARCHITECTS
31 EAST ELM STREET, GREENWICH, CT 06830 203-862-9011

SCALE:
VARIES
DATE:
11 MAR 2011
DRAWN BY:
ALM, DAG
JOB NUMBER:
0905

A-6.8

3D Renderings



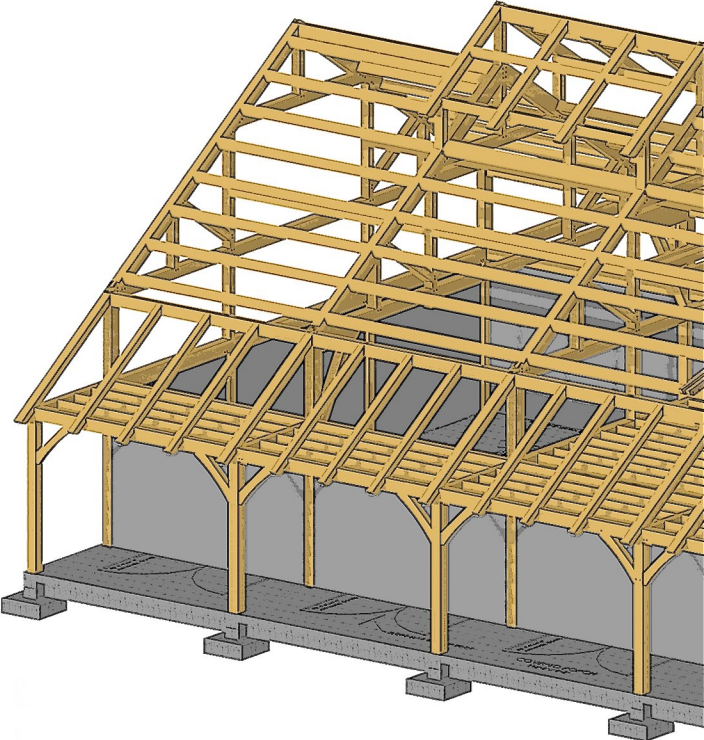


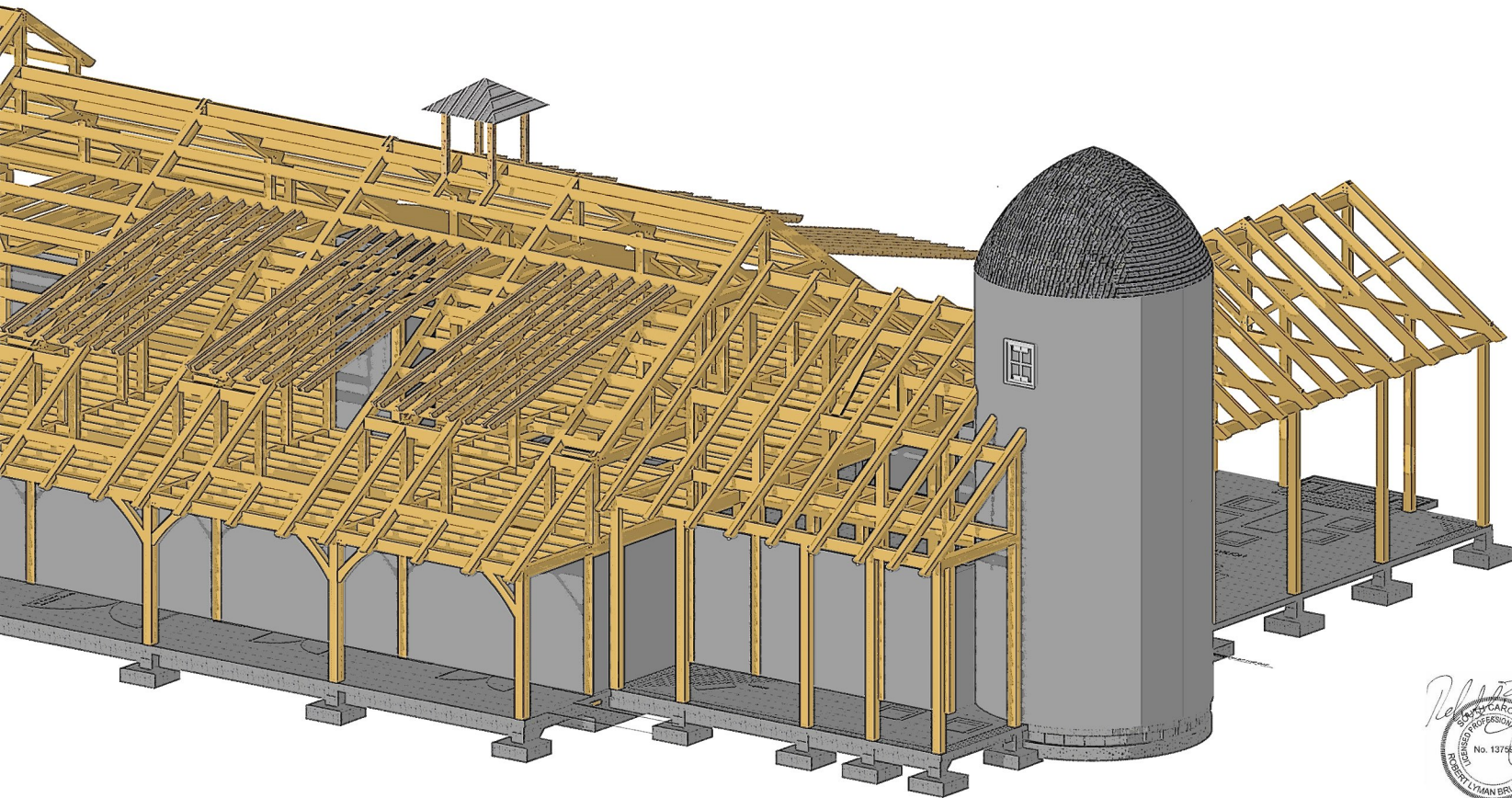
DESIGN BY

PROJECT

DRAWN BY
Craig M. Kitson
DATE
January 08, 2018
Carolina Timberworks, LLC

Engineering

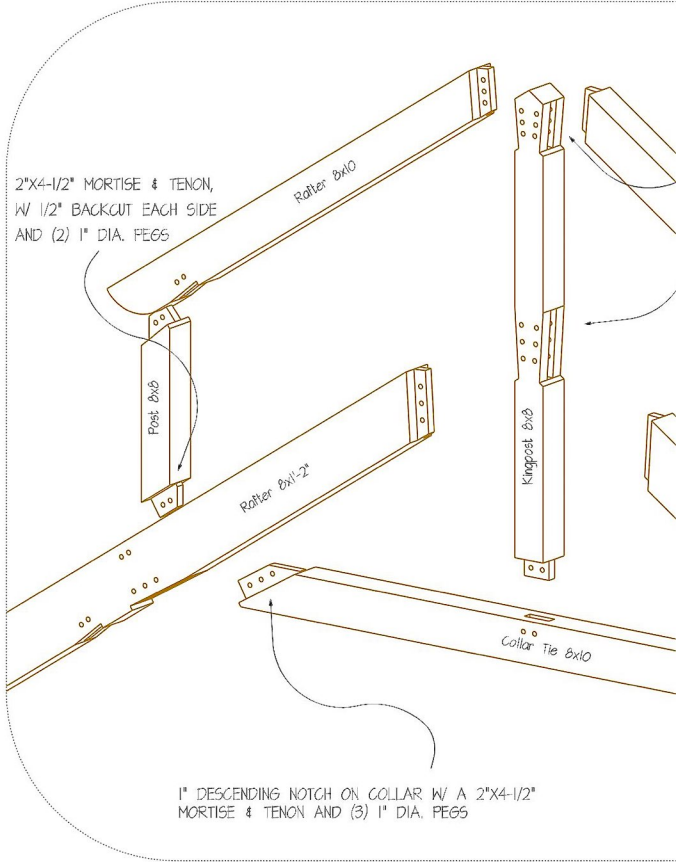




FIRE TOWER
 ENGINEERED TIMBER
 27 Sims Ave., Unit 2R 401.654.4600
 Providence, RI 02909 bob@frit.com

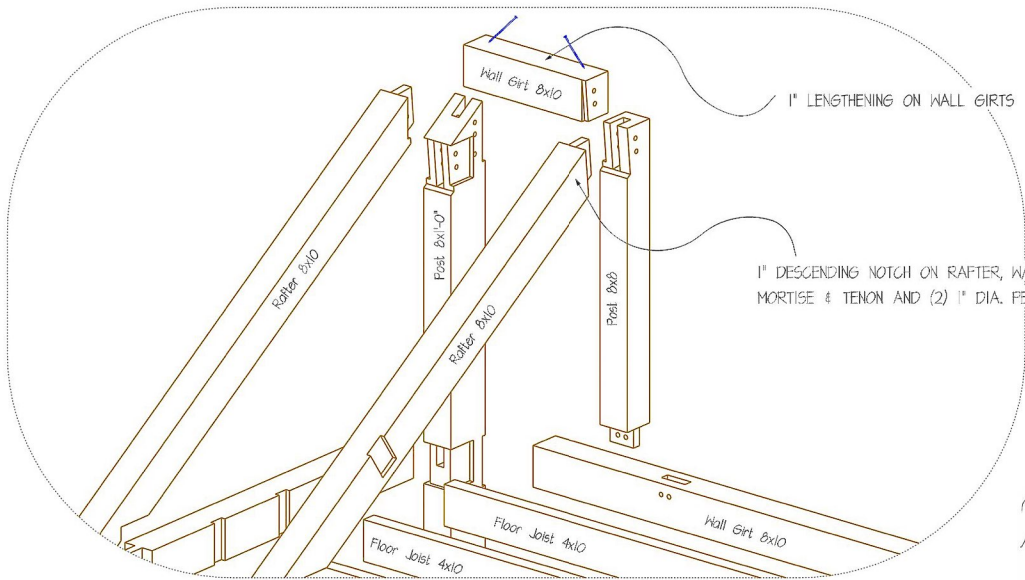
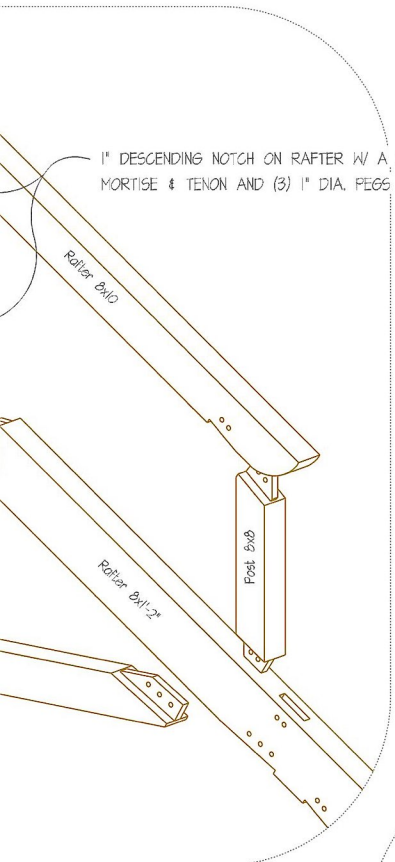
ISO OVERVIEW		ARCHITECT: CUSTOMER: DESIGNER: JEREN K. HOLMAN	DATE: 05-11-18 SHEET TF 3 OF 32		
--------------	--	--	--	---	---

Shop Drawings

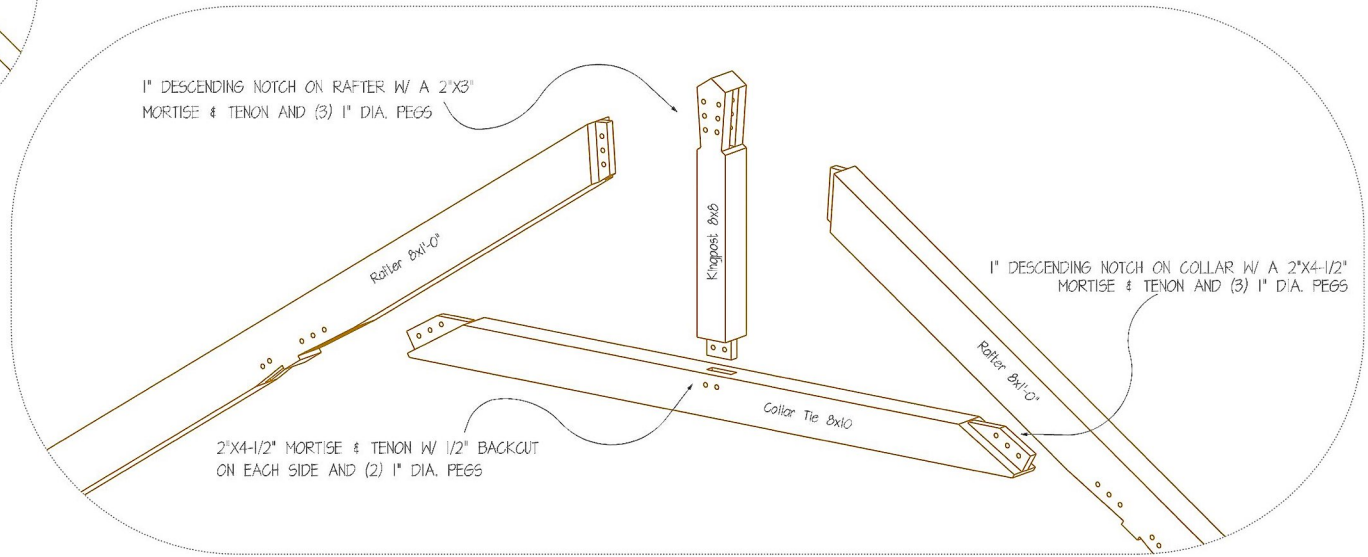


(A) CLERESTORY CONNECTION

REF. FIG



B 2ND STORY DORMER WINDOW CONNECTION - LINE 2
REF. TF4



C TYPICAL RAFTER, KINGPOST & COLLAR CONNECTION
REF. TF4

Fabrication & Pre-fitting







Shipping



Professional Installation







PAINTINGS
IN THE
HERNITAGE

THE HERITAGE

GREAT HOUSES
OF IRELAND

HERITAGE

HERITAGE

The Work



Bristol, Virginia





Highlands, North Carolina







Blowing Rock, North Carolina



Far Hills, New Jersey



Ennice, North Carolina

Linville, North Carolina



Greenwich, Connecticut

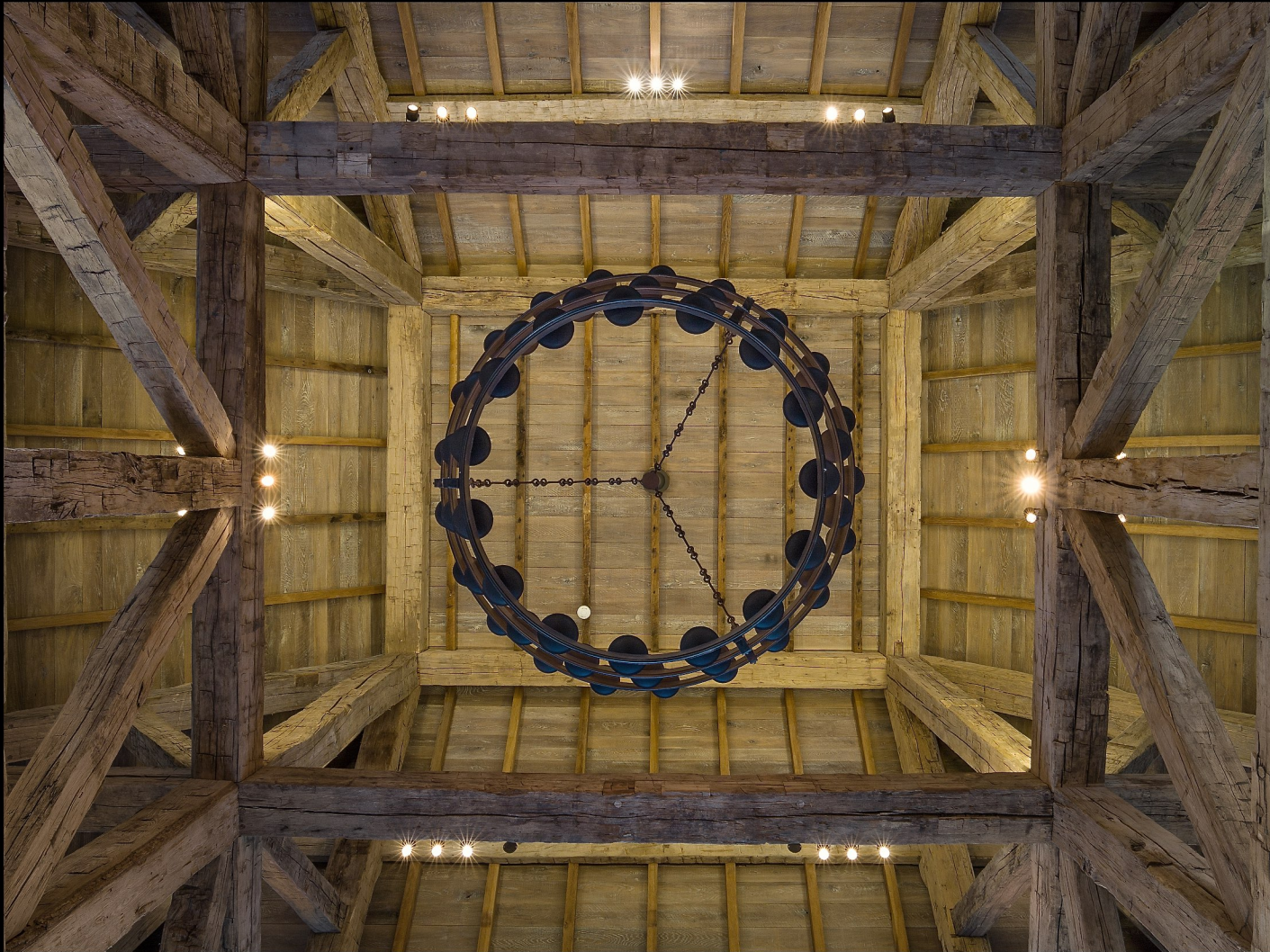




Asheville, North Carolina



Johnson City, Tennessee



Greenwich, Connecticut



Bedminster, New Jersey



Pinehurst North Carolina





Grandfather Vineyard and Winery
Banner Elk, North Carolina





Asheville, North Carolina









Claytor Lake, Virginia



Party Barn

Highlands, North Carolina







A woman with glasses and a light-colored jacket is sitting on a wooden ledge in the foreground, looking towards the right.

Several people are visible in the background, some standing and some sitting at tables, engaged in work or conversation. A woman in a bright blue shirt is prominent in the center.

A large television screen is mounted on a wooden wall in the background, displaying a landscape image. A purple armchair is visible in the adjacent area.

Large blue letters spelling "ARL" are visible on a wall in the background, likely part of a larger sign or logo.

Largest Horse Barn in the United States
78,000 square feet | 130 stalls
Wellington, Florida







The People

Patricia Willis, Timber Framer



Craig Kitson
Vice President of Operations



Thomas Kitson
Timber Framer

Kevin Reed
Job Captain



A man with a beard and blue shirt is sitting at a desk in an office, smiling at the camera. He is wearing a blue polo shirt and has a black earring. The desk has a laptop, a keyboard, and a water bottle. In the background, there is a black filing cabinet, a printer, and a desk lamp.

Jeren Holman
Draftsman



Josh Sheets
Timber Framer

Larry Scarborough
Timber Framer





Derek Calhoun
Project Steward



Gesche Morlèy
Spreader of Joy & Happiness (Bookkeeping)



Eric Morley
Founder



www.carolinatimberworks.com

Copyright 2019